



Model Number
NJ20S+U1+N

- Features**
- 20 mm non-flush
 - Usable up to SIL 3 acc. to IEC 61508

Application



Danger!

In safety-related applications the sensor must be operated with a qualified fail safe interface from Pepperl+Fuchs, such as KFD2-SH-EX1. Consider the "exida Functional Safety Assessment" document which is available on [www.pepperl-fuchs.com](#) as an integral part of the product documentation.

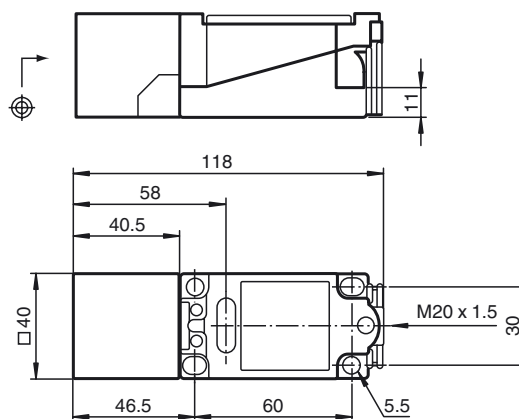
Accessories

- MHW 01**
Modular mounting bracket
- MH 04-2681F**
Mounting aid for VariKont, +U1+ and +U9*
- MH 04-2057B**
Mounting aid for VariKont and +U1+

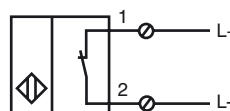
Technical Data

General specifications	
Switching function	Normally closed (NC)
Output type	NAMUR with safety function
Rated operating distance	s_n 20 mm
Installation	non-flush
Assured operating distance	s_a 0 ... 16.2 mm
Reduction factor r_{AI}	0.4
Reduction factor r_{Cu}	0.3
Reduction factor r_{304}	0.85
Output type	2-wire
Nominal ratings	
Nominal voltage	U_o 8.2 V (R_i approx. 1 k Ω)
Switching frequency	f 0 ... 150 Hz
Current consumption	
Measuring plate not detected	≥ 3 mA
Measuring plate detected	≤ 1 mA
Functional safety related parameters	
Safety Integrity Level (SIL)	SIL 3
MTTF _d	9191 a
Mission Time (T _M)	20 a
Diagnostic Coverage (DC)	0 %
Ambient conditions	
Ambient temperature	-40 ... 100 °C (-40 ... 212 °F)
Mechanical specifications	
Connection type	screw terminals
Information for connection	A maximum of two conductors with the same core cross section may be mounted on one terminal connection! tightening torque 1.2 Nm + 10 %
Core cross-section	up to 2.5 mm ²
Minimum core cross-section	without wire end ferrule 0.5 mm ² , with connector sleeves 0.34 mm ²
Maximum core cross-section	without wire end ferrule 2.5 mm ² , with connector sleeves 1.5 mm ²
Housing material	PBT
Sensing face	PBT
Degree of protection	IP68
General information	
Use in the hazardous area	see instruction manuals
Compliance with standards and directives	
Standard conformity	
NAMUR	EN 60947-5-6:2000 IEC 60947-5-6:1999
Standards	EN 60947-5-2:2007 EN 60947-5-2/A1:2012 IEC 60947-5-2:2007 IEC 60947-5-2 AMD 1:2012
Approvals and certificates	
EAC conformity	TR CU 012/2011
UL approval	cULus Listed, General Purpose
CSA approval	cCSAus Listed, General Purpose
CCC approval	CCC approval / marking not required for products rated ≤ 36 V

Dimensions



Electrical Connection



Release date: 2018-04-19 08:19 Date of issue: 2018-04-19 106683_eng.xml

Data for application in connection with hazardous areas

Equipment protection level	Ga , Gb , Da , Mb	
Equipment protection level Ga		
Type of protection	intrinsic safety	
CE marking	CE 0102	
Certificates		
Appropriate type	NJ20S+U.-N..	
ATEX certificate	PTB 00 ATEX 2049 X	
ATEX marking	Ex II 1G Ex ia IIC T6...T1 Ga	
Standards	EN 60079-0:2012+A11:2013 , EN 60079-11:2012	
IECEX certificate	IECEX PTB 11.0092X	
IECEX marking	Ex ia IIC T6...T1 Ga	
Standards	IEC 60079-0:2011 , IEC 60079-11:2011	
Effective internal inductivity	C_i	$\leq 200 \text{ nF}$ A cable length of 10 m is considered.
Effective internal inductance	L_i	$\leq 150 \mu\text{H}$ A cable length of 10 m is considered.
Maximum permissible ambient temperature T_{amb}	Also observe the maximum permissible ambient temperature stated in the general technical data. Keep to the lower of the two values.	
for ATEX	at $U_i = 16 \text{ V}$, $I_i = 25 \text{ mA}$, $P_i = 34 \text{ mW}$, T6 : 56 °C (132.8 °F) T5 : 68 °C (154.4 °F) T4 : 96 °C (204.8 °F) T3 : 96 °C (204.8 °F) T2 : 96 °C (204.8 °F) T1 : 96 °C (204.8 °F) at $U_i = 16 \text{ V}$, $I_i = 25 \text{ mA}$, $P_i = 64 \text{ mW}$, T6 : 49 °C (120.2 °F) T5 : 61 °C (141.8 °F) T4 : 89 °C (192.2 °F) T3 : 89 °C (192.2 °F) T2 : 89 °C (192.2 °F) T1 : 89 °C (192.2 °F) at $U_i = 16 \text{ V}$, $I_i = 52 \text{ mA}$, $P_i = 169 \text{ mW}$, T6 : 28 °C (82.4 °F) T5 : 40 °C (104 °F) T4 : 68 °C (154.4 °F) T3 : 68 °C (154.4 °F) T2 : 68 °C (154.4 °F) T1 : 68 °C (154.4 °F) at $U_i = 16 \text{ V}$, $I_i = 76 \text{ mA}$, $P_i = 242 \text{ mW}$, T6 : 13 °C (55.4 °F) T5 : 25 °C (77 °F) T4 : 53 °C (127.4 °F) T3 : 53 °C (127.4 °F) T2 : 53 °C (127.4 °F) T1 : 53 °C (127.4 °F)	
for IECEx	at $U_i = 16 \text{ V}$, $I_i = 25 \text{ mA}$, $P_i = 34 \text{ mW}$, T6 : 73 °C (163.4 °F) T5 : 88 °C (190.4 °F) T4 : 100 °C (212 °F) T3 : 100 °C (212 °F) T2 : 100 °C (212 °F) T1 : 100 °C (212 °F) at $U_i = 16 \text{ V}$, $I_i = 25 \text{ mA}$, $P_i = 64 \text{ mW}$, T6 : 66 °C (150.8 °F) T5 : 81 °C (177.8 °F) T4 : 100 °C (212 °F) T3 : 100 °C (212 °F) T2 : 100 °C (212 °F) T1 : 100 °C (212 °F) at $U_i = 16 \text{ V}$, $I_i = 52 \text{ mA}$, $P_i = 169 \text{ mW}$, T6 : 45 °C (113 °F) T5 : 60 °C (140 °F) T4 : 89 °C (192.2 °F) T3 : 89 °C (192.2 °F) T2 : 89 °C (192.2 °F) T1 : 89 °C (192.2 °F) at $U_i = 16 \text{ V}$, $I_i = 76 \text{ mA}$, $P_i = 242 \text{ mW}$, T6 : 30 °C (86 °F) T5 : 45 °C (113 °F) T4 : 74 °C (165.2 °F) T3 : 74 °C (165.2 °F) T2 : 74 °C (165.2 °F) T1 : 74 °C (165.2 °F)	

Release date: 2018-04-19 08:19 Date of issue: 2018-04-19 106683_eng.xml

Equipment protection level Gb

Type of protection	intrinsic safety	
CE marking	CE 0102	
Certificates		
Appropriate type	NJ20S+U.-N..	
ATEX certificate	PTB 00 ATEX 2049 X	
ATEX marking	Ⓔ II 1G Ex ia IIC T6...T1 Ga	
Standards	EN 60079-0:2012+A11:2013 , EN 60079-11:2012	
IECEX certificate	IECEX PTB 11.0092X	
IECEX marking	Ex ia IIC T6...T1 Ga	
Standards	IEC 60079-0:2011 , IEC 60079-11:2011	
Effective internal inductivity	C _i	≤ 200 nF A cable length of 10 m is considered.
Effective internal inductance	L _i	≤ 150 μH A cable length of 10 m is considered.
Maximum permissible ambient temperature T _{amb}	Also observe the maximum permissible ambient temperature stated in the general technical data. Keep to the lower of the two values. at U _i = 16 V , I _i = 25 mA , P _i = 34 mW , T6 : 73 °C (163.4 °F) T5 : 88 °C (190.4 °F) T4 : 100 °C (212 °F) T3 : 100 °C (212 °F) T2 : 100 °C (212 °F) T1 : 100 °C (212 °F) at U _i = 16 V , I _i = 25 mA , P _i = 64 mW , T6 : 66 °C (150.8 °F) T5 : 81 °C (177.8 °F) T4 : 100 °C (212 °F) T3 : 100 °C (212 °F) T2 : 100 °C (212 °F) T1 : 100 °C (212 °F) at U _i = 16 V , I _i = 52 mA , P _i = 169 mW , T6 : 45 °C (113 °F) T5 : 60 °C (140 °F) T4 : 89 °C (192.2 °F) T3 : 89 °C (192.2 °F) T2 : 89 °C (192.2 °F) T1 : 89 °C (192.2 °F) at U _i = 16 V , I _i = 76 mA , P _i = 242 mW , T6 : 30 °C (86 °F) T5 : 45 °C (113 °F) T4 : 74 °C (165.2 °F) T3 : 74 °C (165.2 °F) T2 : 74 °C (165.2 °F) T1 : 74 °C (165.2 °F)	

Equipment protection level Da

Type of protection	intrinsic safety	
CE marking	CE 0102	
Certificates		
Appropriate type	NJ20+U..+N..	
ATEX certificate	PTB 00 ATEX 2049 X	
ATEX marking	Ⓔ II 1D Ex ia IIIC T135°C Da	
Standards	EN 60079-0:2012+A11:2013 , EN 60079-11:2012	
IECEX certificate	IECEX PTB 11.0092X	
IECEX marking	Ex ia IIIC T135°C Da	
Standards	IEC 60079-0:2011 , IEC 60079-11:2011	
Effective internal inductivity	C _i	≤ 200 nF A cable length of 10 m is considered.
Effective internal inductance	L _i	≤ 150 μH A cable length of 10 m is considered.
Maximum permissible ambient temperature T _{amb}	Also observe the maximum permissible ambient temperature stated in the general technical data. Keep to the lower of the two values. at U _i = 16 V , I _i = 25 mA , P _i = 34 mW : 100 °C (212 °F) at U _i = 16 V , I _i = 25 mA , P _i = 64 mW : 100 °C (212 °F) at U _i = 16 V , I _i = 52 mA , P _i = 169 mW : 89 °C (192.2 °F) at U _i = 16 V , I _i = 76 mA , P _i = 242 mW : 74 °C (165.2 °F)	

Equipment protection level Mb

Type of protection	intrinsic safety	
Certificates		
Appropriate type	NJ20+U..+N..	
IECEX certificate	IECEX PTB 11.0092X	
IECEX marking	Ex ia I Mb	
Standards	IEC 60079-0:2011 , IEC 60079-11:2011	
Effective internal inductivity	C _i	≤ 200 nF A cable length of 10 m is considered.
Effective internal inductance	L _i	≤ 150 μH A cable length of 10 m is considered.

Release date: 2018-04-19 08:19 Date of issue: 2018-04-19 106683_eng.xml



Maximum permissible ambient temperature T_{amb}

Also observe the maximum permissible ambient temperature stated in the general technical data.

Keep to the lower of the two values.

at $U_i = 16\text{ V}$, $I_i = 25\text{ mA}$, $P_i = 34\text{ mW}$: 100 °C (212 °F)

at $U_i = 16\text{ V}$, $I_i = 25\text{ mA}$, $P_i = 64\text{ mW}$: 100 °C (212 °F)

at $U_i = 16\text{ V}$, $I_i = 52\text{ mA}$, $P_i = 169\text{ mW}$: 89 °C (192.2 °F)

at $U_i = 16\text{ V}$, $I_i = 76\text{ mA}$, $P_i = 242\text{ mW}$: 74 °C (165.2 °F)